

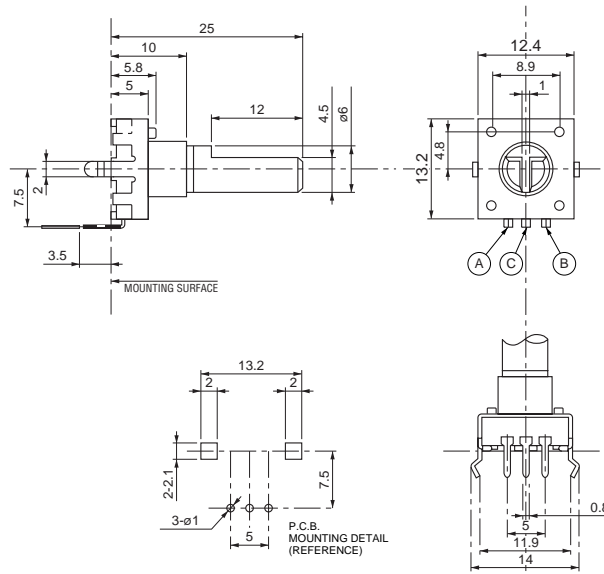
# Rotary Encoders XRE Series

## Features:

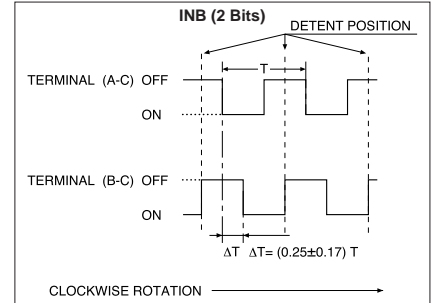
- High performance switches created by incorporating NOBLE's Film Integration Technology.
- Film element provides smooth rotational feeling.

### XRE0121PVB

(Insulated Shaft)  
(Bracket Type)

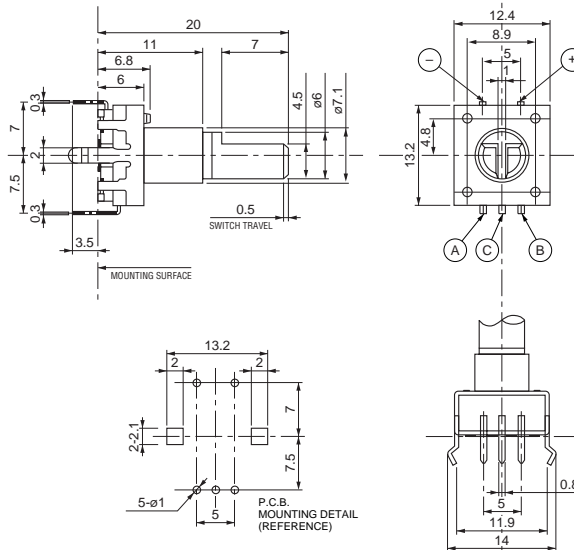
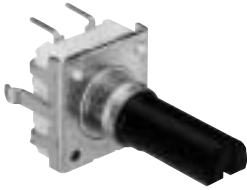


### INCREMENTAL OUTPUT SIGNAL (for 24PC Type)

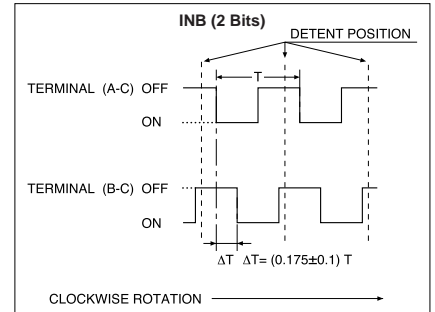


### XRE0122PVB

(Insulated Shaft)  
(Bracket Type)  
(with Push-Momentary Switch)



### INCREMENTAL OUTPUT SIGNAL (for 12PC Type)



## SPECIFICATIONS

	24PC Type	12PC Type
Type of Output Signal	INB (2 Bits)	INB (2 Bits)
Operating Temperature Range	-10 to 70°C	-10 to 70°C
Rated Voltage/Rated Current	DC 5V 0.5mA	DC 5V 0.5mA
Resolution	24 Pulses/360°	12 Pulses/360°
Total Rotational Angle	360° Endless	360° Endless
Detent Position and Angle	24 Detents 15±3°	12 Detents 30±3°
Detent Torque	3 to 20 mN·m	3 to 20 mN·m
Rotational Life	30,000 cycles	30,000 cycles

### Specification of Push-Momentary Switch

Circuit	SPST
Rated Voltage/Rated Current	DC 5V 10mA
Contact Resistance	100mΩ max.
Insulation Resistance	10MΩ min. at DC 50V
Withstand Voltage	AC 50V for 1 minute
Push Travel	0.5mm
Operating Force	3 ± 1.5 N
Operational Life	20,000 actuations