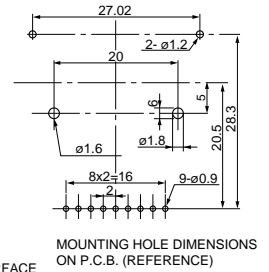
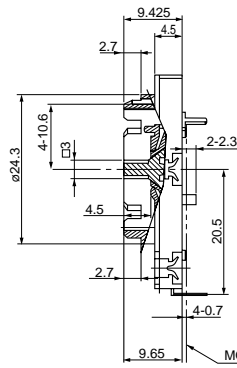
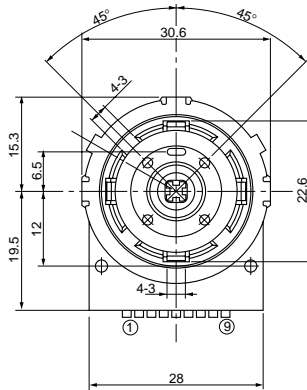


Jog Shuttle Switches RDS Series

Outer Shaft : Pulse Switch (2Bit Output Signal = 360° Endless (30° step))

Inner Shaft : 5 Direction Push-switch

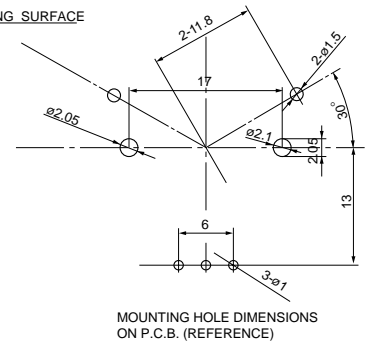
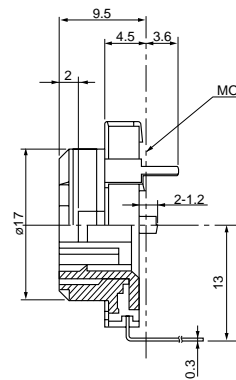
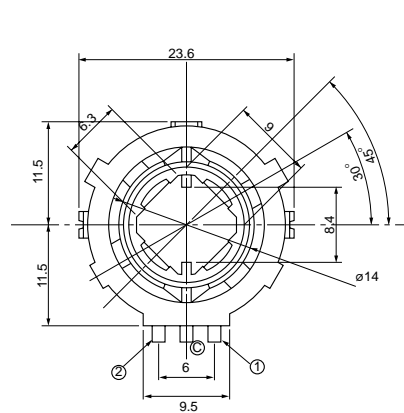
RDS-Y0003



Outer Shaft : Pulse Switch (2Bit Output Signal = 360° Endless (36° step))

Inner Shaft : Shaft-Less (Hollow)

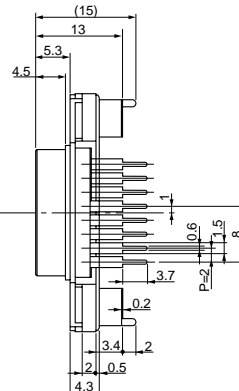
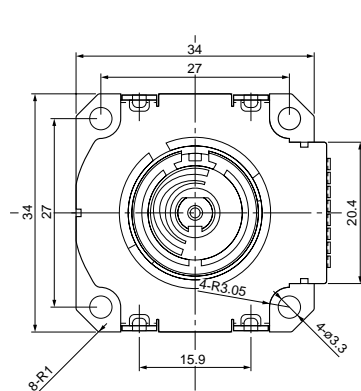
RDS-Y0008



Outer Shaft : Jog part ($\pm 80^\circ$ at Center position)

Inner Shaft : Pulse Switch (2Bit Output Signal = 360° Endless (36° step))

RDS-Y0004



We prepare Hollow (without inner Shaft) type, RDS-Y0013